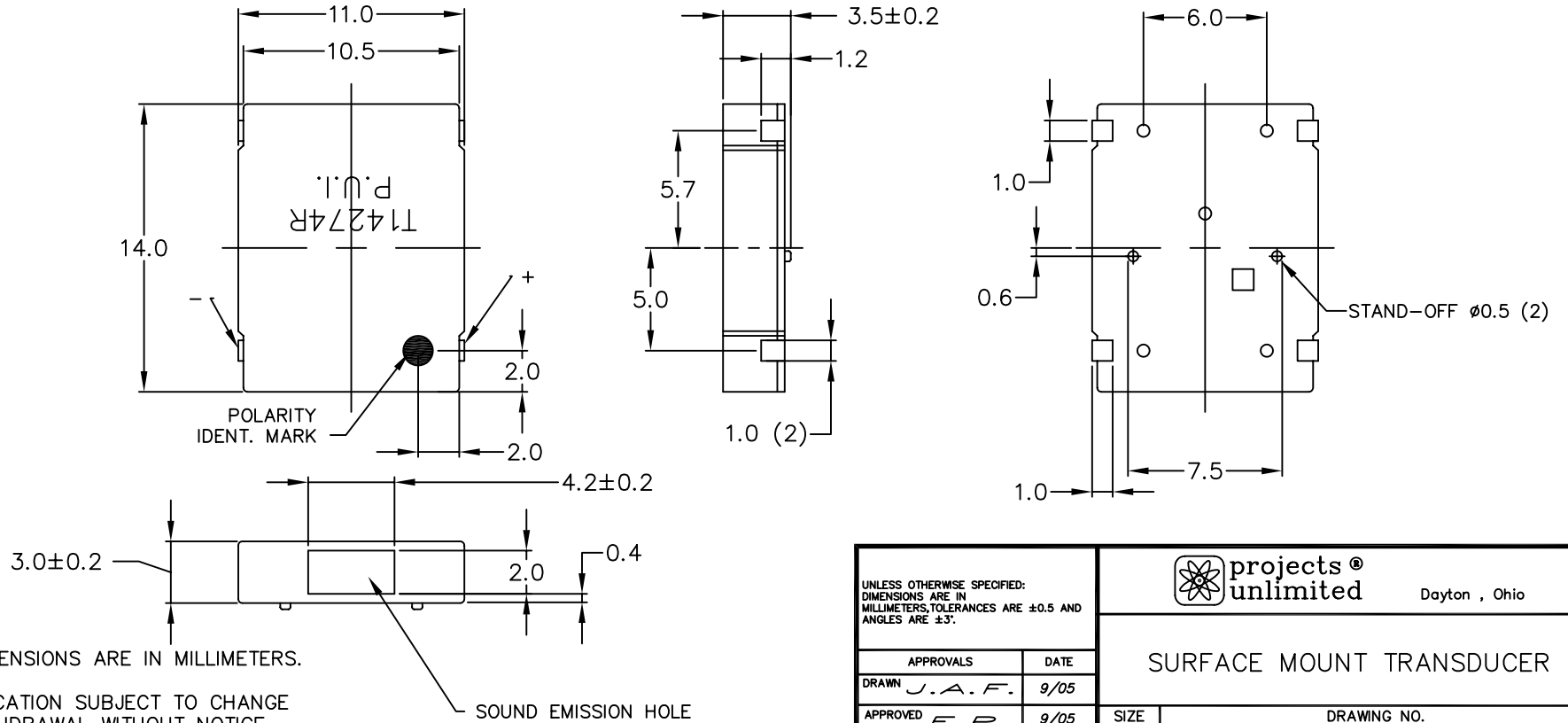


THIS DOCUMENT CONTAINS DATA PROPRIETARY TO PROJECTS UNLIMITED, INC. ANY USE OR REPRODUCTION, IN ANY FORM, WITHOUT PRIOR WRITTEN PERMISSION OF PROJECTS UNLIMITED, INC. IS PROHIBITED.  
 ©2003, Projects Unlimited Inc.

### SPECIFICATIONS

PARAMETERS	VALUES	UNITS
RATED VOLTAGE (SQUARE WAVE)	5.0	Vp-p
OPERATING VOLTAGE RANGE	4 ~ 7	Vp-p
RATED CURRENT (MAX)	90	mA
COIL RESISTANCE	43±6.5	OHM
MINIMUM SPL @ 10 CM	87	dBA
RESONANT FREQUENCY	2,700±500	Hz
OPERATING TEMPERATURE	-40 ~ +85	°C
STORAGE TEMPERATURE	-50 ~ +85	°C
HOUSING MATERIAL	LCP	-
TERMINAL MATERIAL	Sn PLATED PHOSPHOR BRONZE	-
WEIGHT	1.0	grams

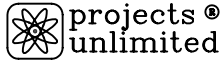
REVISIONS			
LTR	DESCRIPTION	DATE	APPROVED
-	RELEASED FROM ENGINEERING	9/27/05	



NOTES:

1. ALL DIMENSIONS ARE IN MILLIMETERS.
2. SPECIFICATION SUBJECT TO CHANGE OR WITHDRAWAL WITHOUT NOTICE.
3. THIS PART IS RoHS 2002/95/ EC COMPLIANT.

FILE NAME  
 SMT-1427-S-4-R.DWG

UNLESS OTHERWISE SPECIFIED: DIMENSIONS ARE IN MILLIMETERS, TOLERANCES ARE ±0.5 AND ANGLES ARE ±3°.		 <b>projects® unlimited</b> Dayton, Ohio	
APPROVALS	DATE	SURFACE MOUNT TRANSDUCER  DRAWING NO. <b>SMT-1427-S-4-R</b>	
DRAWN <i>J.A.F.</i>	9/05		
APPROVED <i>E.P.</i>	9/05		
APPROVED <i>B.R.</i>	9/05	SIZE A	
DO NOT SCALE DRAWING		SCALE: N.T.S.	SHEET 1 OF 1